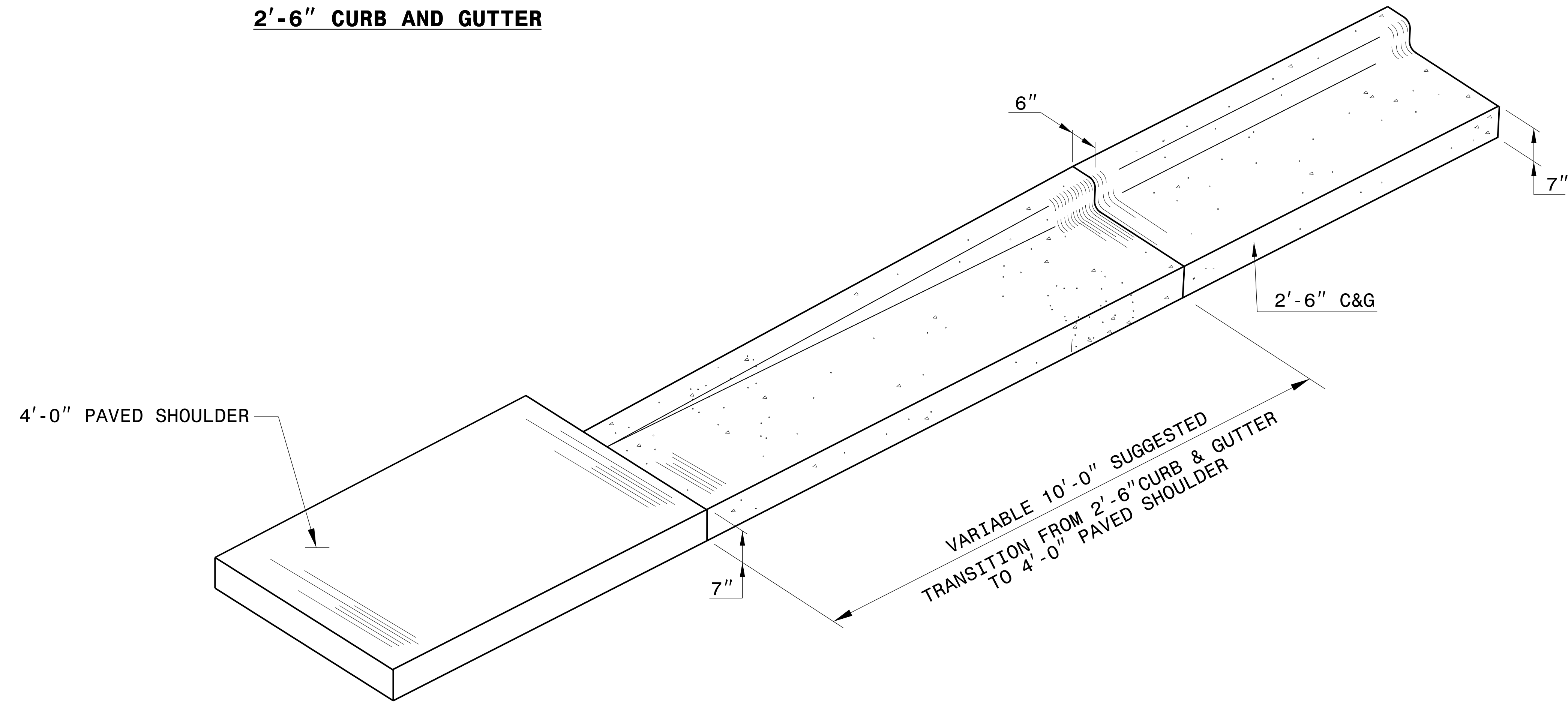


2'-6" CURB AND GUTTER

***NOTE: SEE STD. DWG. 846.01 FOR GENERAL NOTES**



ISOMETRIC VIEW OF TRANSITION



DOCUMENT NOT CONSIDERED FINAL UNLESS ALL SIGNATURES COMPLETED

CONTRACT STANDARDS AND DEVELOPMENT UNIT
Office 919-707-6950 FAX 919-250-4119

DETAIL OF 10' TRANSITION FROM 2'-6" CURB & GUTTER TO 4'-0" PAVED SHOULDER

ORIGINAL BY:	DATE:
MODIFIED BY: <u>rnbritt</u>	DATE: <u>04-13-2016</u>
CHECKED BY:	DATE:
FILE SPEC: <u>details/nbritt/english/misc/c&g transition sections.dgn</u>	

5/14/99
 I:\MAP-2020\1425
 S:\Contracts\Special Details\english\misc\c&g transition sections.dgn
 J:\overton AT USD-320965